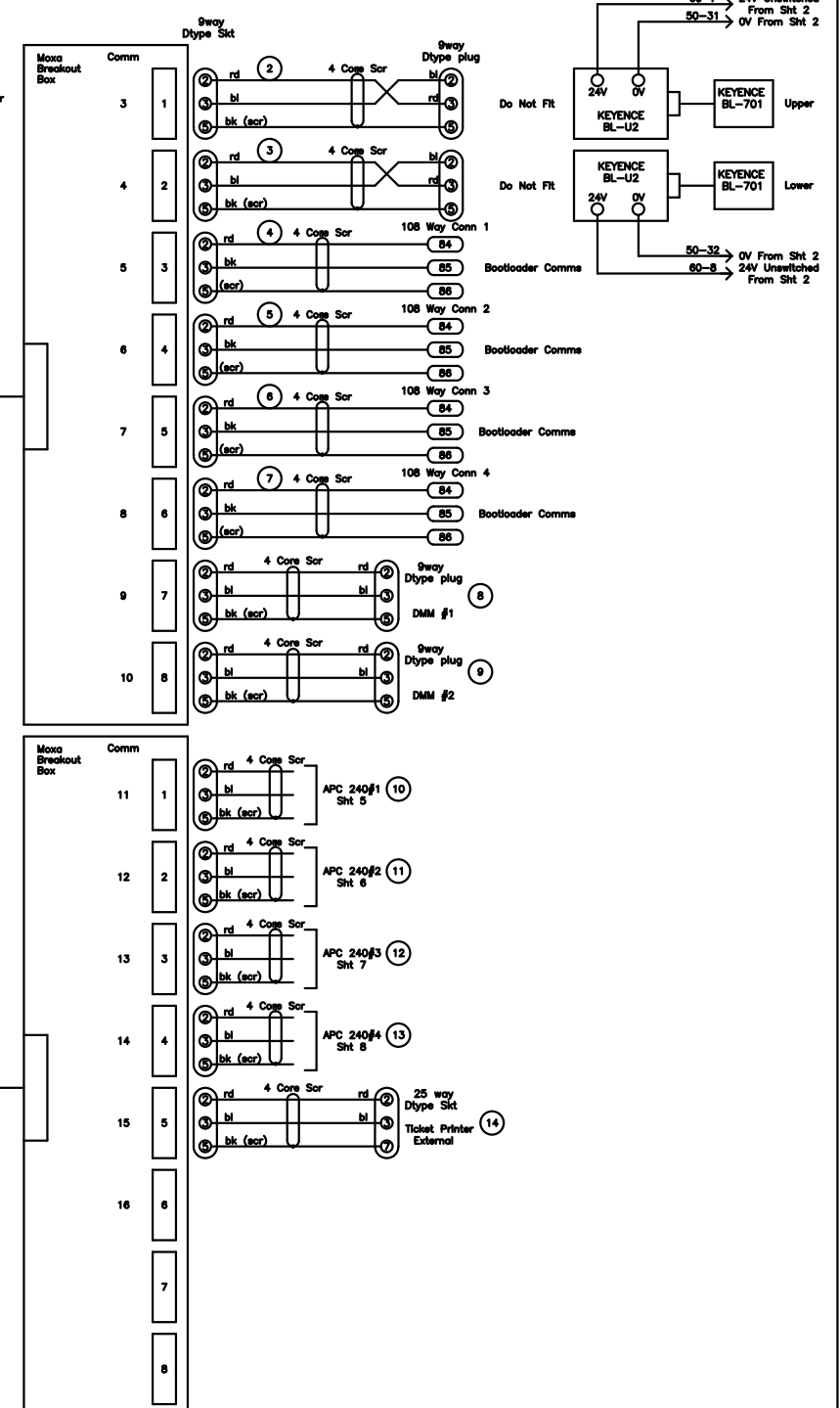
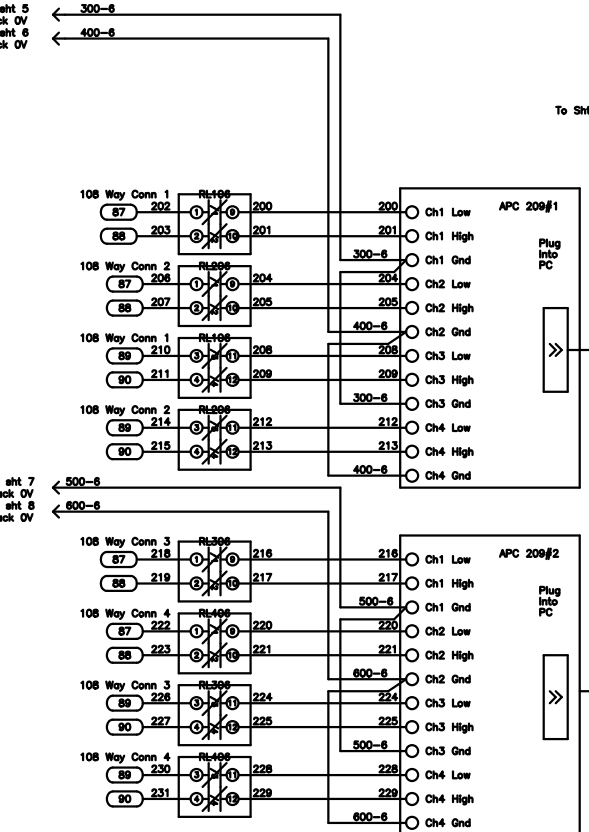
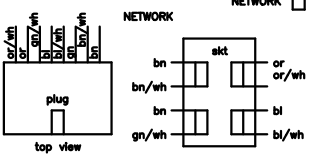
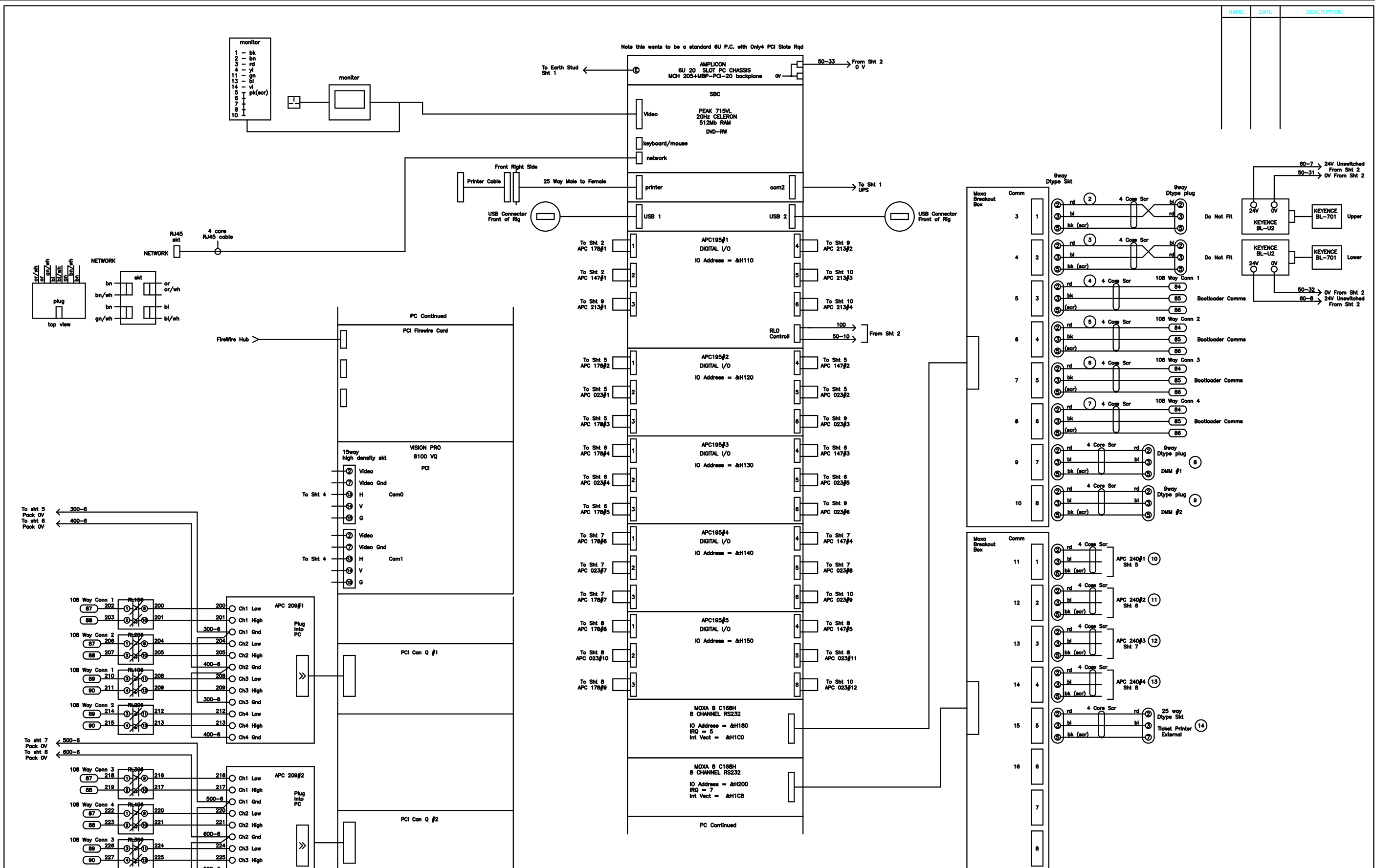


NAME	DATE	DESCRIPTION



	AUTHOR	P. Jones
	DATE	24 October 2008
<small>This drawing must not be copied or reproduced without the written permission of ALPHR Technology Ltd.</small>	ISSUE NO	A SHEET NO. 3 OF 12
	COMPANY	Viteon
<small>Notes: 1) All wiring to be 160.2 unless stated otherwise 2) Mains wiring to be loomed separately 3) 240V a.c. line = red, neutral = black, earth = green/yellow 4) Wire numbers used on this sheet 5) Spare wire numbers on this sheet</small>	PROJECT	C394
	RIG	4 Head Auto Tester
WORKS ORDER	W/O 606096	